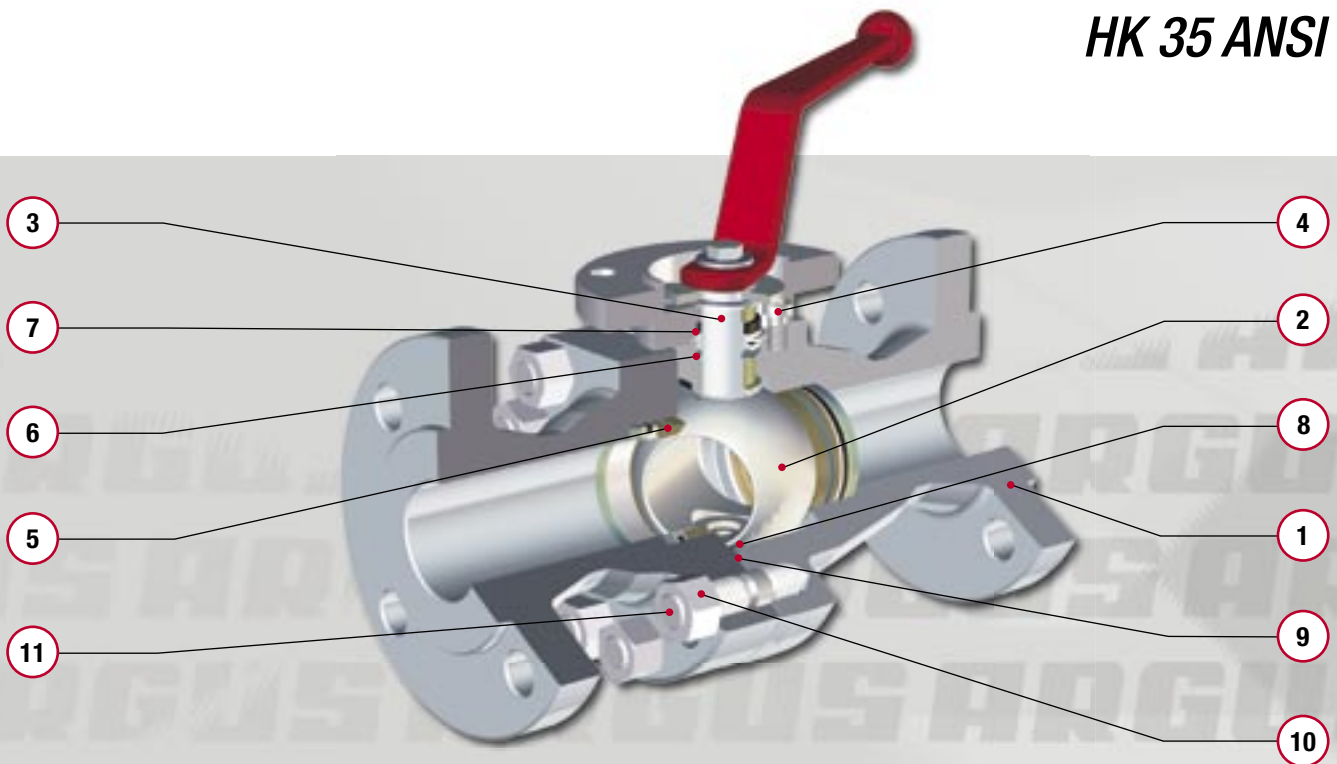


ARGUS

HK 35 ANSI



Material List of Main Parts

| Item | Description | Material Specification * | Nearest Typical ASTM-Equivalent |
|------|---------------------|--|----------------------------------|
| 1 | Body / Flange | 1.0566 (TstE355N) 1.0460 (C22G2) SS 1.4571 | A350 LF2 A 105 A182 F316Ti |
| 2 | Ball | SS Duplex SS Duplex hardfaced | A182 F51 A182 F51 hardfaced |
| 3 | Stem | 1.4462 (Duplex) | A182 F51 |
| 4 | Gland Bolts | 8.8 A4-70' | |
| 5 | Ball Seats | POM' SS Duplex hardfaced | |
| 6 | Primary Stem Seal | FPM | |
| 7 | Secondary Stem Seal | Celastic | |
| 8 | Body Seal | FPM | |
| 9 | Secondary Body Seal | Celastic | |
| 10 | Bolts | A193 B7 (ASTM) A4-70 | |
| 11 | Nuts | A194-Gr.4 (ASTM) A4-70 | |

* For detailed information see our ANSI catalogue



ARGUS HK 35

**DN 50 ANSI Cl. 600-1500 Full Bore
DN 80 ANSI Cl. 600-1500 Reduced Bore**

Description:

The HK 35 ball valve with its many innovative design features represents the highest standards in valve technology and is designed to meet the API-6D, ANSI 16.34 and BS 5351 requirements.

Long lifetime and low operating torques due to the clear separation of the sealing and bearing functions, on both ball and stem.

Design:

Split body design with superfine finished trunnion mounted ball, anti-blowout stem, spring loaded ball seats, cavity relief and anti-static device. Long life double stem seal system and stem supported in bearings to ensure seals are free from operating loads. Stem sealing construction complies with the latest TA-Luft and EPA (method 21) fugitive emissions requirements.

Firesafe to BS 6755 and API 607.

DIN/ISO 5211 mounting plate for easy assembly with actuators included.

Accessories and Options:

- Limit switches
- Locking devices
- Extended wrenches
- Stem extensions
- Metal to metal seats and/or extended bonnets with stuffing box for high/low temperatures and abrasive medium and high cycle applications
- Drain and vent/bleed connections

Standard Material Combinations (preferably to order – short delivery time):

| ANSI | Cl. 600 -1500 Mat.-Code 1D07D4D442 | Cl. 600 -1500 Mat.-Code 4D07D4D442 | Cl. 600 -1500 Mat.-Code 1ADAD4D442 | Cl. 600 -1500 Mat.-Code 4ADAD4D442 |
|---------------------|--|--|--|--|
| Body | CS-Low Temp. | SS | CS-Low Temp. | SS |
| Ball/Stem | SS | SS | SS | SS |
| Ball Seats | POM/ SS | POM/ SS | SS | SS |
| Stem Seals | FPM/Celastc | FPM/Celastc | FPM/Celastc | FPM/Celastc |
| Body Seals | FPM/Celastc | FPM/Celastc | FPM/Celastc | FPM/Celastc |
| Seat Springs | SS | SS | SS | SS |

Flowserve Flow Control

Rudolf-Plank-Str.2, D-76275 Ettlingen

T: +49 (0)72 43/103-0 F: +49 (0)72 43/103-222

E-mail: argus@flowserve.com

www.flowserve.com

FCDARGBR 1111-02
Printed in Germany