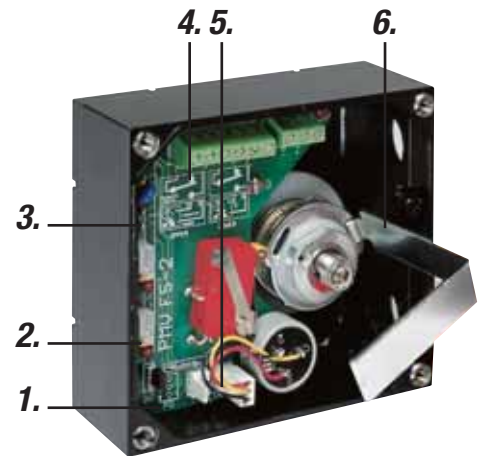


## *F5 Feedback unit*

Product  
Information



1. Jumper for field selection of 90, 60, 45 and 30 deg, operation for 4–20 mA position transmitter.
2. LEDs indicate 4–20 mA output.
3. Test outlet for 4–20 mA position transmitter.
4. Info printed on the PC board.
5. Field selectable direction of 4–20 mA of output signal, direct or reverse.
6. Easy to set cams with no fixed increments for true 100% resolution.



## F5 Feedback Unit

### F5/F5-EX

- Mounts on P5/EP5 without additional mounting bracket.
- Bright visible, flat or dome position indicator.
- Easy to set stepless cams – 100% resolution.
- Switches, mechanical or proximity, P+F Namur sensors.
- Potentiometer or 4–20 mA position transmitter.
- Sturdy, reliable and simple design.
- Explosion proof or intrinsically safe enclosure.
- ATEX, CSA and FM approvals.



Explosion proof

### Easy to install



Install coupling on P5/EP5



Place F5 unit on top, tighten screws



Install indicator and cover



## Technical data

### General

Conduit entries	2x1/2 NPT or 2xPG 13.5 (M20)
Housing material	Die cast aluminum
Surface treatment	ED painting
Weight	0,7 kg (lbs 1,5) Ex proof = 2,1 kg (lbs 4,6)
Mounting	Direct on P5/EP5 and VDI/VDE 3845
Fasteners	Stainless A2/A4
Terminals	2,5 mm <sup>2</sup> (AWG 14) Screw terminals
Enclosure	IP66, NEMA 4
Temp*	-40°C to +85°C (-40°F to +185°F)

### Switches, mechanical

Type	Mechanical SPDT V3
Rating	6/2,5A 250 V AC

### NAMUR sensors

Type	P+F NJ2 V3N
Load Current	≤ 1 mA ≥ 3 mA
Voltage range	5–25 V DC
Hysteresis	0,2%
Temp	-25°C to +85°C (-4°F to +185°F)

### Proximity switches

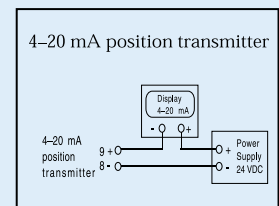
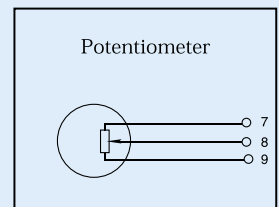
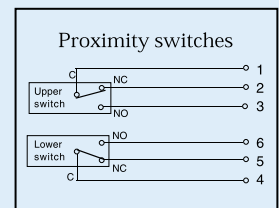
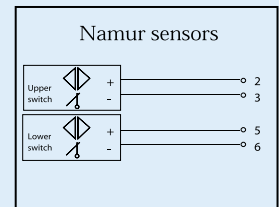
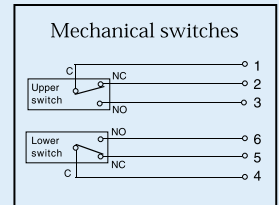
Contact rating	2 W or 2 VA @ 30 V DC/V AC, 0.1 A
Maximum operating time	0.5 milliseconds
Breakdown voltage	200 V DC
Contact resistance	0.2 Ohms
Switch type	SPDT hermetically sealed in one unit
Mechanical and electrical life	> 10 million operations

### Potentiometer

Output	5k (4k at 90°)
Elements	Conductive plastic
Power rating at 70°	1 W
Linearity	1%
Resolution	Essentially infinite

### 4–20 mA position transmitter

Power supply	Max. 28 V DC
Output signal	4–20 mA
LED indication at 4 mA	±1%
LED indication at 20 mA	±1%
Resolution	Infinite
Minimum rotation travel	30°
Maximum rotation travel	90° (270° option)
Linearity	<1% of full scale
Hysteresis	<0,5% of full scale
Output current limit	24 mA DC
Load impedance	800 at 24 V DC



\* Not NAMUR sensors



## Modular



F5 mounted on actuator for on/off applications



F5 mounted on positioner P5



F5 mounted on positioner EP5

## F5 Series Coding

**Model** (for installation on P5/EP5 only)

F5G F5 with PG 13.5 connections

F5N F5 with NPT 1/2" connections

**Surface treatment**

U Epoxy, ED

M Tufram

**Switches**

MEC 2 x SPDT switches

NAM 2 x P+F Namur Sensors

PXY 2 x Proximity switches

**Feedback**

XXX None

P0T Potentiometer 5 kOhm

P1K Potentiometer 1 kOhm

P18 Potentiometer 180 deg

420 4-20 mA transmitter

T18 4-20 mA transmitter, 180 deg

T27 4-20 mA transmitter, 270 deg

**Spindle**

00 Drive coupling for P5/EP5

**Seals**

Z Nitrile, NBR

**Model**

F5IS F5 Intrinsically safe

F5EX F5 Explosion proof

**Electrical connections**

G PG13.5, Not F5EX

Z 1/2" NPT

**Surface treatment**

U Epoxy, ED

M Tufram

**Switches**

MEC 2 x SPDT switches

NAM 2 x P+F Namur Sensors

PXY 2 x Proximity switches

**Feedback**

XXX None

P0T Potentiometer 5 kOhm

P1K Potentiometer 1 kOhm

P18 Potentiometer 180 deg

420 4-20 mA transmitter

T18 4-20 mA transmitter, 180 deg

T27 4-20 mA transmitter, 270 deg

**Spindle**

00 Drive coupling for P5/EP5

23 01 to 39, see dwg SPNDLS\_P5

**Frontcover, indicator**

PV9DA 90 deg, direct arrow indicator

PV3RH 30 deg, reverse, Dome indicator

**Seals**

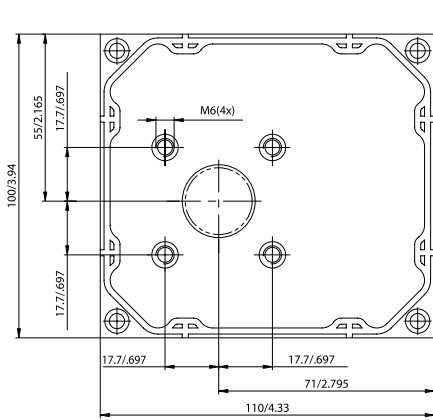
Z Nitrile, NBR

**Example**

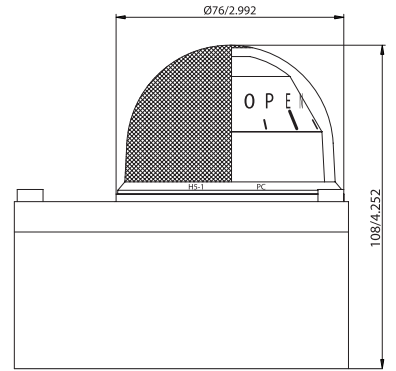
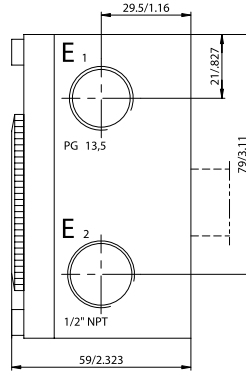
F5ISNU-MEC420-00-PV9DA-Z

(\*For 30, 45, 60 deg rotation, change PV9 to PV3, PV4 or PV6 D=direct, R=reverse, A=arrow indicator, B=blind, H=dome)

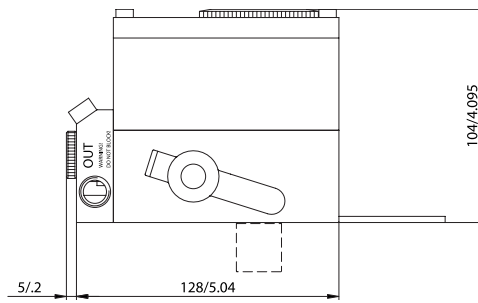
## Dimensions drawings (mm)



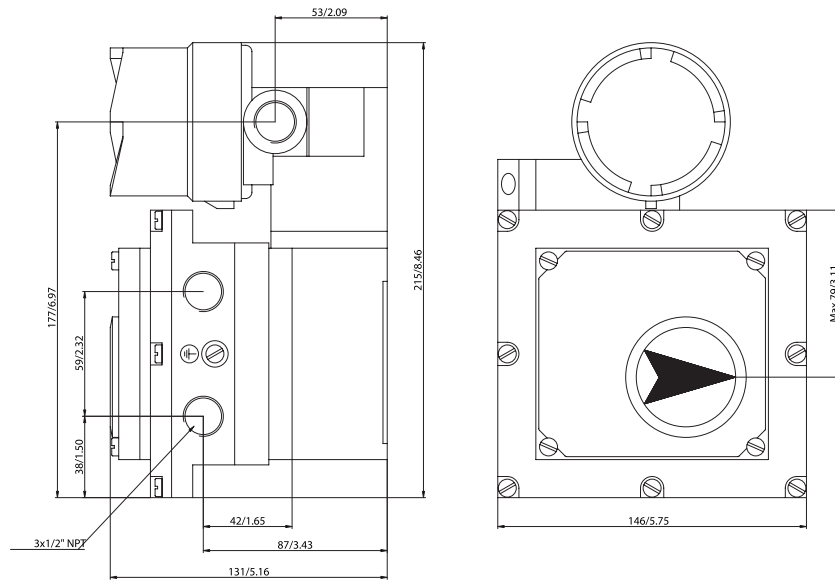
F5



F5 with Dome H5



F5 on EP5



F5EX on EP5EX



p/n: FCD PMENBR0005-02




**Hazardous Locations**



**Intrinsically safe:**

ATEX  II 1 G, EEx ia IIC T4 LCIE 95.D6 IIIX CSA, FM Class 1, Div 1, Group C, D T3C ATEX

**Explosion proof:**

ATEX  II 1 G, EEx d IIB+H2, T4-T6 LCIE 97.D6140 IIIX CSA, FM Div 1, Class 1,2 & 3 Group BCDEF G T4-T6, ATEX

**Palmstierna International AB**  
Korta Gatan 9  
SE-171 54 Solna  
SWEDEN  
Tel: +46 (0) 8 555 106 00  
Fax: +46 (0) 8 555 106 01  
E-mail: [infopmv@flowserve.com](mailto:infopmv@flowserve.com)

**Germany**  
Flowserve  
Sperberweg 16  
D-41468 Neuss  
GERMANY  
Tel: +49 (0) 2131 795 74 80  
Fax: +49 (0) 2131 795 74 99  
E-mail: [pmvgermany@flowserve.com](mailto:pmvgermany@flowserve.com)

**UK**  
Flowserve  
Abex Road  
Newbury, Berkshire, RG14 5EY  
UK  
Tel: +44 (0) 1635 46 999  
Fax: +44 (0) 1635 36 034  
E-mail: [pmvukinfo@flowserve.com](mailto:pmvukinfo@flowserve.com)

**Italy**  
Flowserve Spa  
Via Prealpi, 30  
20032 Cormano (Milano)  
ITALY  
Tel: +39 (0) 2 663 251  
Fax: +39 (0) 2 615 18 63  
E-mail: [infoitaly@flowserve.com](mailto:infoitaly@flowserve.com)

**USA, Mexico**  
PMV-USA  
1440 Lake Front Circle, Unit 160  
The Woodlands, TX 77380  
USA  
Tel: +1 281 292 7500  
Fax: +1 281 292 7760  
E-mail: [pmvusa@flowserve.com](mailto:pmvusa@flowserve.com)

**Canada**  
Cancoppas Limited  
2595 Dunwin Drive, Unit 2  
Mississauga, Ont L5L 3N9  
CANADA  
Tel: +1 905 569 6246  
Fax: +1 905 569 6244  
E-mail: [controls@cancoppas.com](mailto:controls@cancoppas.com)

**Asia Pacific Headquarters**  
Flowserve Pte Ltd.  
No. 12 Tuas Avenue 20  
REPUBLIC OF SINGAPORE 638824  
Tel: +65 (0) 687 98900  
Fax: +65 (0) 686 24940  
E-mail: [fcdasiaprocess@flowserve.com](mailto:fcdasiaprocess@flowserve.com)

**South Africa**  
Flowserve  
Unit 1, 12 Director Road  
Spartan Ext. 2  
1613 Kempton Park, Gauteng  
SOUTH AFRICA  
Tel: +27 (0) 11 397 3150  
Fax: +27 (0) 11 397 5300

**The Netherlands**  
Fabromatic BV  
Rechtzaad 17  
4703 RC Roosendaal  
THE NETHERLANDS  
Tel: +31 (0) 30 6771946  
Fax: +27 (0) 30 6772471  
E-mail: [fcbinfo@flowserve.com](mailto:fcbinfo@flowserve.com)

**China**  
Flowserve  
Hanwei Building  
No. 7 Guanghua Road  
Chao Yang District  
100004 Beijing  
CHINA  
Tel: +86 (10) 6561 1900  
Fax: +86 (10) 6561 1899

[www.pmv.nu](http://www.pmv.nu)

Flowserve Corporation has established industry leadership in the design and manufacture of its products. When properly selected, this Flowserve product is designed to perform its intended function safely during its useful life. However, the purchaser or user of Flowserve products should be aware that Flowserve products might be used in numerous applications under a wide variety of industrial service conditions. Although Flowserve can (and often does) provide general guidelines, it cannot provide specific data and warnings for all possible applications. The purchaser/user must therefore assume the ultimate responsibility for the proper sizing and selection, installation, operation, and maintenance of Flowserve products. The purchaser/user should read and understand the Installation and Maintenance (I & M) instructions included with the product, and train its employees and contractors in the safe use of Flowserve products in connection with the specific application.

While the information and specifications contained in this literature are believed to be accurate, they are supplied for informative purposes only and should not be considered certified or as a guarantee of satisfactory results by reliance thereon. Nothing contained herein is to be construed as a warranty or guarantee, express or implied, regarding any matter with respect to this product. Because Flowserve is continually improving and upgrading its product design, the specifications, dimensions and information contained herein are subject to change without notice. Should any question arise concerning these provisions, the purchaser/user should contact Flowserve Corporation at any one of its worldwide operations or offices.

©2008 Flowserve Corporation, Irving, Texas, USA. Flowserve and PMV are registered trademarks of Flowserve Corporation.